



RIPA R40 CAMERA

Version:Version:1.2

Data Sheet

Ripa Technologies Pty Ltd

CONTENTS

Product Summary	2
Feature Highlights.....	2
Technical Specifications.....	3
product Dimension	6
Product Image library	7
Ordering Guide	7



PRODUCT SUMMARY

Ripa R40 is a UHD 4K camera, including 3 lenses, 12X optical zoom 80.4° wide-angle lens (R40-12), 25X optical zoom 59.2° wide-angle lens (R40-25), and 31X optical zoom 59° wide-angle lens (R40-31). It has complete functions, excellent performance, and rich interfaces. Boasting advanced ISP processing technology and algorithm, R40 series cameras deliver the vivid image and uniform picture brightness.



FEATURE HIGHLIGHTS

4K UHD Resolution: SONY CMOS sensor. Resolution is up to 4K with frame rate up to 60fps.

Dual Stream Output: USB support the main stream and sub stream output at the same time, and can meet the needs of near-end and far-end.

Optical Zoom Lens: 12X optical zoom 80.4° wide-angle lens (R40-12), 25X optical zoom 59.2° wide-angle lens (R40-25), and 31X optical zoom 59° wide-angle lens (R40-31)

Interfaces: Support HDMI, USB 2.0, LAN, and output 4K audio and video at the same time.

Leading Auto Focus Technology: Fast, accurate and stable auto focusing technology.

Low Noise and High SNR: Super high SNR image is achieved with low noise CMOS. Advanced 2D/3D noise reduction technology further reduces the noise while ensuring high image clarity.

Multiple Audio/Video Compression Standards: LAN interface supports H.264/H.265 video compression, USB3.0 interface supports MJPG、H264、YUY2、NV12、H265; A-IN interface supports AAC, MP3, G.711A audio compression coding

Audio input interface: 8000、16000、32000、44100、48000 sampling frequency. support AAC, MP3 and G.711A audio compression

Multiple Network Protocol: Support ONVIF, GB/T28181, RTSP, RTMP protocols; Support RTMP push mode, easy to be connected to streaming server (Wowza, FMS); Support RTP multicast mode; Support network full command VISCA control protocol. Support NDI|HX2(optional)、NDI|HX3(optional)、Dante AV-H(optional) protocol.

Control Interface: RS422 input(compatible with RS485), RS232 input/output, RS232 (cascade connection)

Multiple Control Protocol: Support VISCA, PELCO-D, PELCO-P protocols; Support automatic identification protocols.

Multiple presets: Up to 255 presets (10 presets via remote control).



Ripa R40 Camera

Multiple Application: Online-education, Lecture Capture, Webcasting, Video conferencing, Tele-medicine, Unified Communication, Emergency command and control systems, etc.

TECHNICAL SPECIFICATIONS

Camera Parameter	R40-12	R40-25	R40-31
Optical Zoom	12X f=3.85 mm ~ 43.06 mm ± 5%	25X f=7.1 mm ~ 171.95 mm ±5%	31X f=6.91 mm ~ 214.64 mm ±5%
View Angle	Horizontal: 7.59° (N) ~ 80.4° (W) Vertical: 4.6° (N) ~ 50.0° (W)	Horizontal: 2.5° (N) ~ 59.2° (W) Vertical: 1.4° (N) ~ 34.6° (W)	Horizontal: 1.98° (N) ~ 59° (W) Vertical: 1.12° (N) ~ 34.14° (W)
AV	F1.8 ~ F3.56±5%	F1.61(Wide) ~ F5.19(Tele) ±5%	F1.35 ~ F4.6±5%
Sensor	1/2.5 inch SONY CMOS sensor	1/1.8 inch SONY CMOS sensor	1/1.8 inch SONY CMOS sensor
Effective Pixels	8.51M megapixel 16: 9		
	HDMI: 3840*2160P60/50/25/59.94/29.97;1080P60/50/25/59.94/29.97;1080I60/50/59.94;1080P@30fps 720P@60fps、 720P@50fps; 720P60/50/59.94; SDI: 1080P60/50/25/59.94/29.97;1080I60/50/59.94;1080P@30fps、 720P@60fps、 720P@50fps; 720P60/50/59.94 USB2.0		



Ripa R40 Camera

Video Format	<p>MJPG: 1920*1080/1600*896 /1280*720 /1024*576 /960*540 /800*600/800*448 /720*576/720*480/640*480 /640*360 /480*270 /352*288/320*240P60/50/30/25;3840*2160P30</p> <p>H264: 1920*1080 /1600*896 /1280*720 /1024*576 /960*540/800*600 /800*448/720*576/720*480/640*480 /640*360 /480*270/352*288/320*240P60/50/30/25;3840*2160P30</p> <p>YUY2: 640*480 /640*360 /480*270 /320*180P30/25</p> <p>NV12: 640*480 /640*360 /480*270 /320*180P30/25</p>
Minimum Illumination	0.5Lux(F1.8, AGC ON)
DNR	3D DNR
White Balance	Auto / Manual/ One Push/ Specified Temperature
Focus	Auto/Manual/One Push Focus
Exposure Mode	Auto/Manual/Shutter priority/Aperture priority/brightness priority
Aperture	F1.8 ~ F11 CLOSE
Shutter Speed	1/25 ~ 1/10000
BLC	ON/OFF
WDR	OFF/ Dynamic level adjustment
Video Adjustment	Brightness, Color, Saturation, Contrast, Sharpness, B/W mode, Gamma curve
SNR	≥50dB
Interface	
Video Interfaces	HDMI、SDI、LAN(Support POE)、USB2.0、A-IN、RS232-IN、RS232-OUT、RS422 (Compatible with RS 485) 、Rotary DIP switch、DC12V Power Supply、Power Switch
Video Compression Format	LAN Interface: H.264, H.265



Ripa R40 Camera

	USB 3.0 Interface: MJPG, H264, YUY2, NV12
Audio Input Interface	Double track 3.5mm linear input
Audio Output Interface	HDMI、LAN、USB2.0
Audio Compression Format	AAC、MP3、G.711A
Network Interface	10M/100M/1000M adaptive Ethernet port, support POE power supply, support audio and video output
Network Protocols	RTSP, RTMP, ONVIF, GB/T28181; Network VISCA control protocol; Support remote upgrade, reboot and reset;NDI HX2(optional)、NDI HX3(optional)、Dante AV-H(optional);
Control Interface	RS232-IN,RS232-OUT, RS422 compatible with RS485
Serial Communication protocol	VISCA/Pelco-D/Pelco-P; Baud Rate: 115200/38400/9600/4800/2400
USB Communication Protocol	UVC (Video), UAC (Audio)
Power Interface	HEC3800 outlet (DC12V)
Supply Adapter	AC110V~AC220V to DC12V/2.5A
Input Voltage	DC12V±10%
Input Current	<1A
Power Consumption	<12W

PTZ Parameter



Ripa R40 Camera

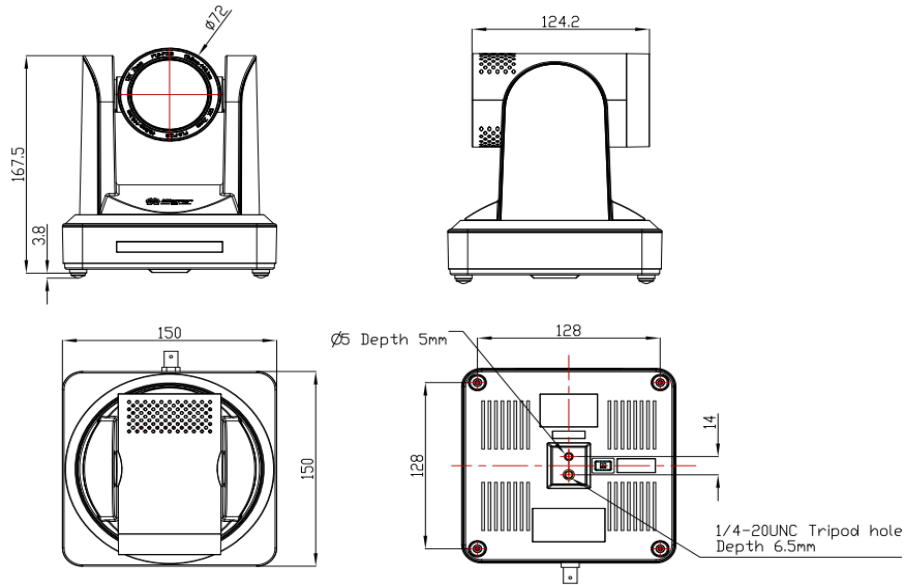
Pan Rotation	-110°~+110°
Tilt Rotation	-30°~+30°
Pan Control Speed	0.1°/s ~ 100°/s
Tilt Control Speed	0.1°/s ~ 70°/s
Preset Speed	Pan: 78.8°/s, Tilt: 31.7°/s
Preset Number	255 presets (10 presets via remote control)

Other Parameter	
Stored Temperature	-10°C ~ +60°C
Storage Humidity	20%~95%
Working Temperature	-10°C ~ +50°C
Working Humidity	20%~80%
Dimension	220(L)mm*144mm(W)*159mm(H)
Weight	1.7kg
Application	Indoor

PRODUCT DIMENSION



Ripa R40 Camera



PRODUCT IMAGE LIBRARY



ORDERING GUIDE

The product part code is RP-R40-12, RP-R40-25, RP-R40-31

Accessory	
Package	Power Supply, RS232 Control Cable, USB2.0 Cable(U3 model), IR Remote Control, User Manual, Warranty Card
Optional Accessories	Ceiling / Wall Mount (Extra Cost)